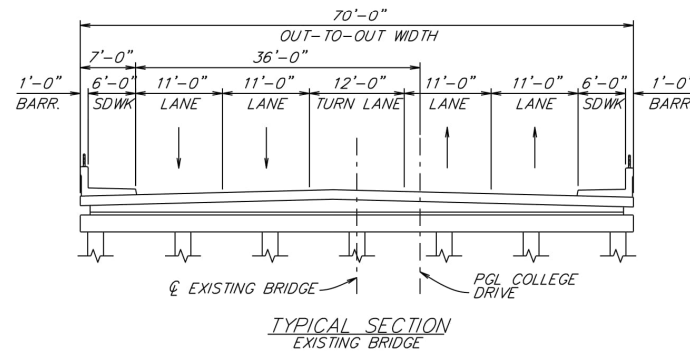
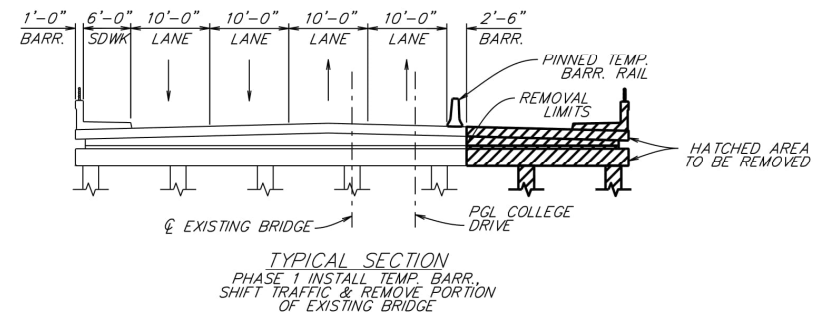


College Drive at Dawson Creek Bridge — Bridge Construction Sequence

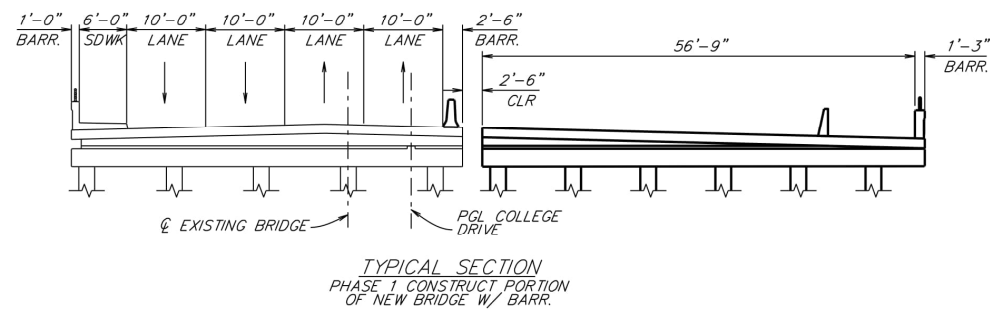
Existing Bridge



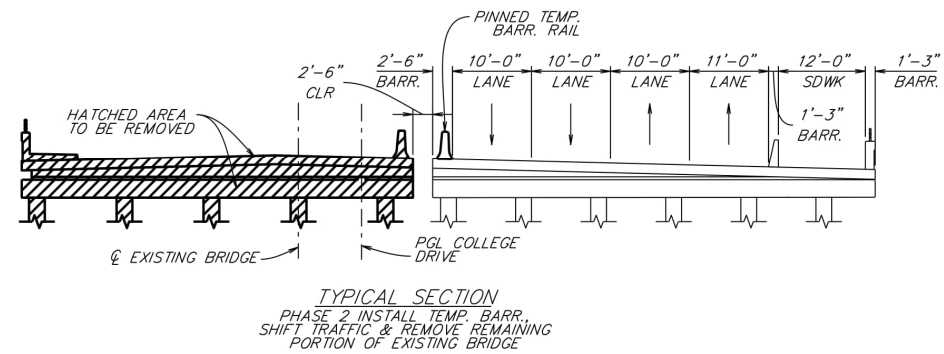
Step 1: Shift traffic west; Demolish East Side of Old Bridge



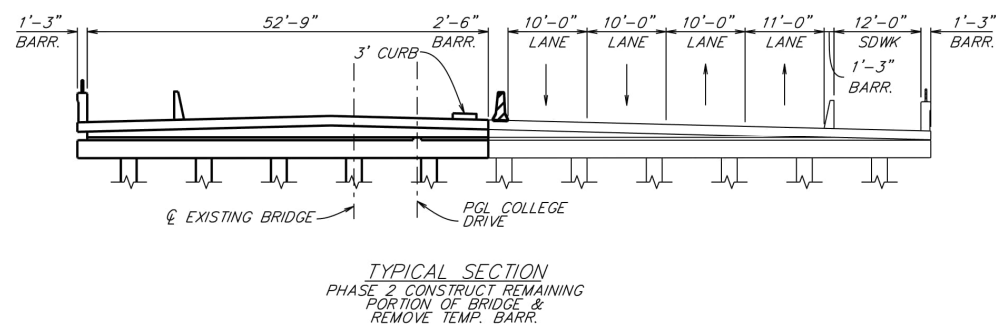
Step 2: Maintain traffic on Old Bridge; Construct East Side of New Bridge



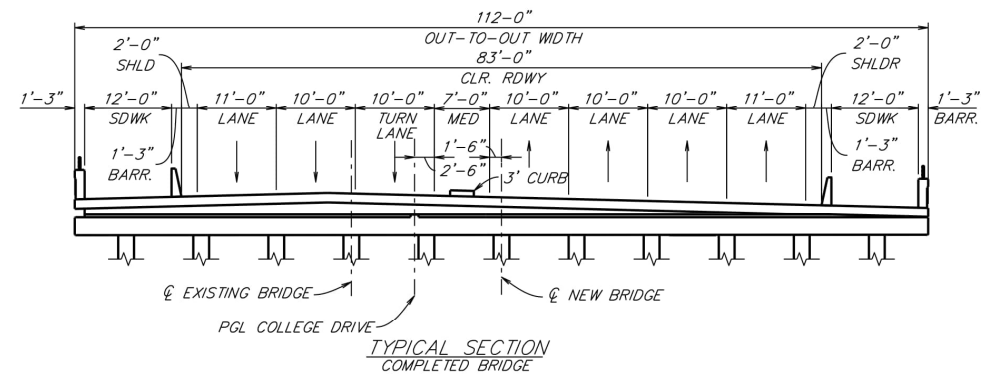
Step 3: Move traffic East; Demolish West Side of Old Bridge



Step 4: Maintain traffic on East Side of New Bridge; Construct West Side of New Bridge



Complete Bridge



College Drive Enhancements (Perkins Road to Bawell Street)

**PRELIMINARY
SUBJECT TO CHANGE**

